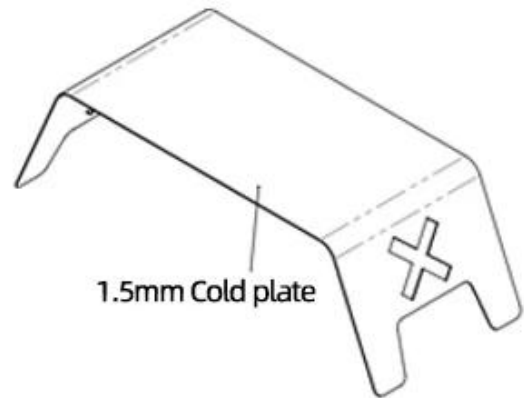
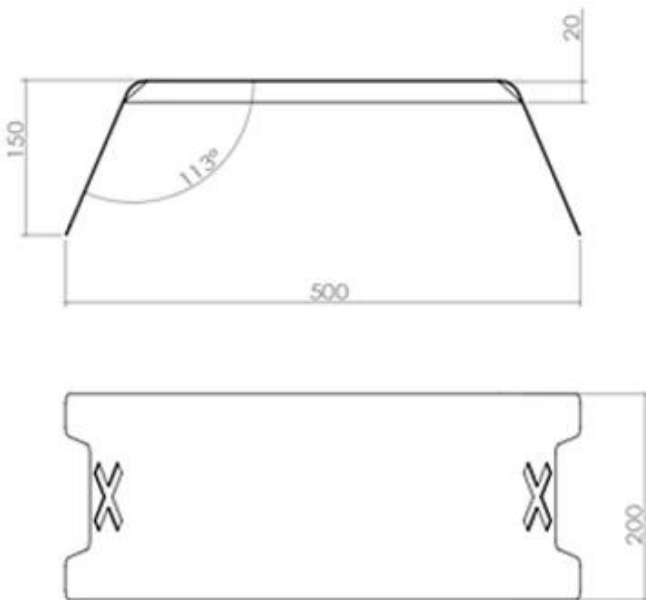






Model	DT-MC11
Dimensions	500x200x150mm
Material	1.5mm Cold plate
Weight	12KG
Lead time	7-12 days
MOQ	25 units
Payment terms	EXW/FOB/CIF
Shipping	T/T 30% + 70% PayPal
Packaging	12KG 20MM EPS
	K = K

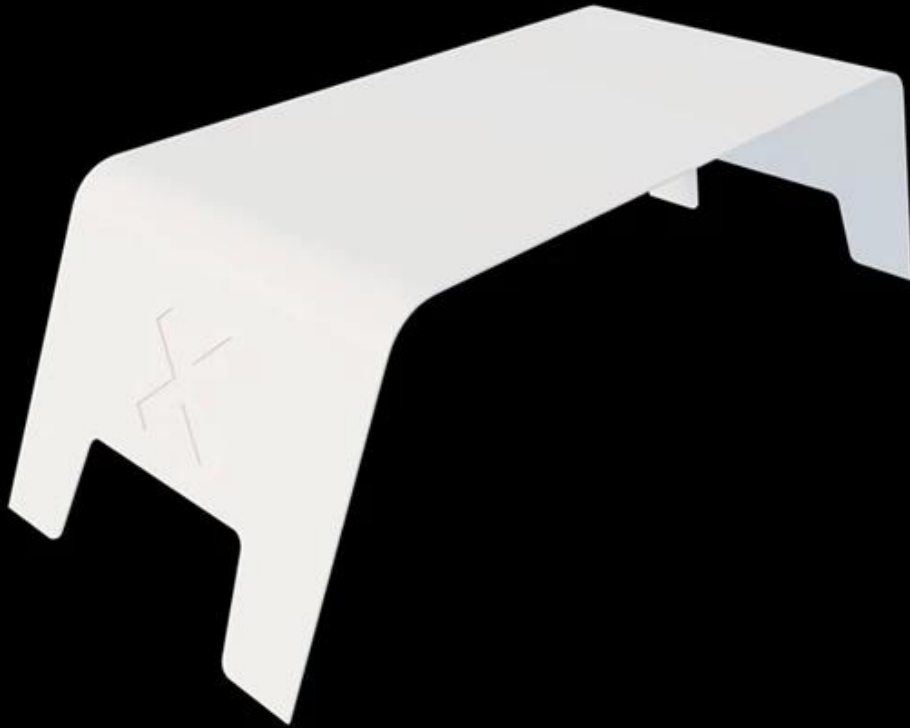




# ETRON

Custom-Designed Displays





17 Detron POP XXXXXXXXXX XXXXXXXXXX



### Supply Ability

We can produce display stand follow customer's requirements.

### Quality Guaranteed:

Our skillful in house QC standby at each procedure during the production to ensure the quality of the product.

### After-sale service

We take after-sale service very seriously and give the same attention to quality end results and client satisfaction as any service

XXXXXXXXXXXXXXXX XXXXXX